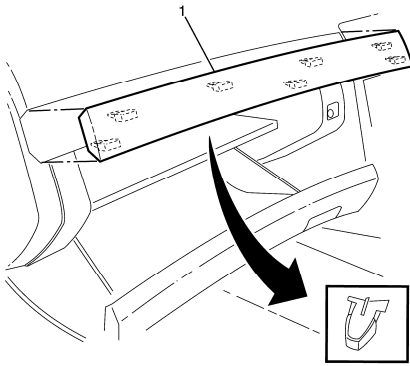


G8 JHP OEM 3G Sport gauges installation instructions

Pictures are shown as US (Left Side Driver)
For Australian vehicles (Driver-Right Side)
please follow steps & instructions on the
opposite side

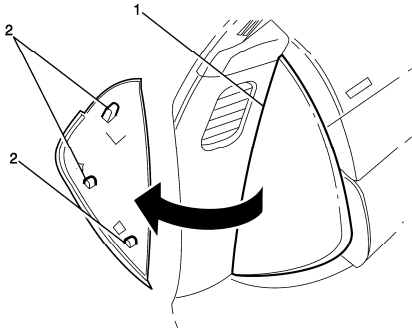


Step 1. Instrument Panel Trim Panel removal



1. Using a suitable tool disengage the trim panel (1) retaining clips.
2. Remove the trim panel (1) from the I/P pad.
3. repeat for opposite side

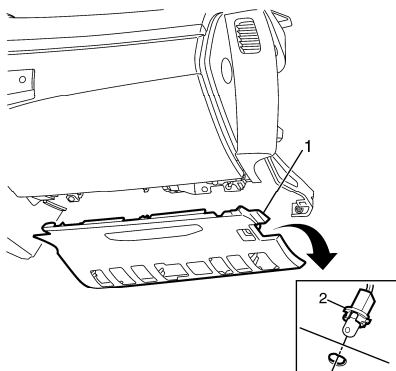
Step 2. Instrument Panel Outer Trim Cover removal



1. Grasp the lower area of the instrument panel outer cover (1) and carefully pull to disengage the retaining clips (2). The left side is shown, the right side is similar.
2. Remove the instrument panel outer cover (1) rotating upwards to disengage remaining clip (2). **(it is not necessary to remove the cover, you can just leave it open as shown on the picture on the right)**

Step 3. Instrument Panel Insulator Panel removal - Right Side and Left Side

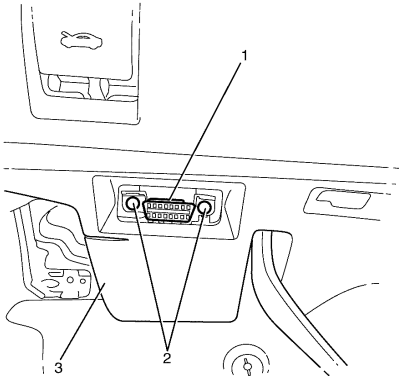
RIGHT



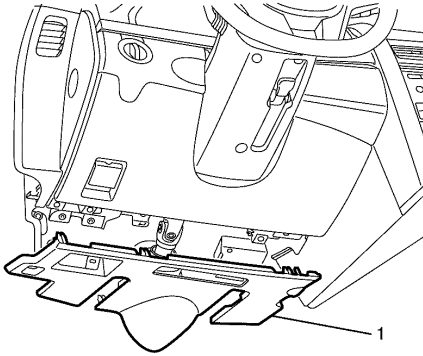
1. Grasp the instrument panel (I/P) insulator panel (1) and carefully pull downward to disengage the retaining clips.

2. Remove the courtesy lamp socket assembly (2) from the I/P insulator panel by turning the socket counter-clockwise. (not an option on G8)
3. Remove the I/P insulator panel (1).

LEFT

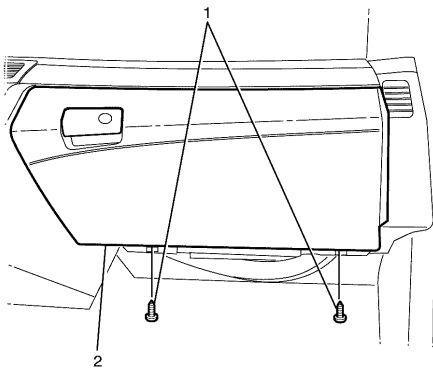


1. Remove the diagnostic plug to I/P lower trim plate assembly retaining screws (2).
2. Remove the diagnostic plug (1) from the I/P lower trim plate assembly (3).

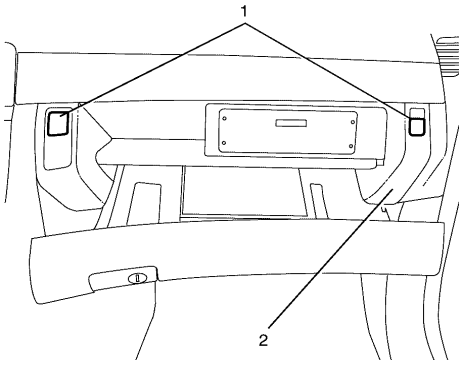


3. Grasp the I/P lower trim plate assembly (1) and carefully pull downward to disengage the retaining clips.
4. Remove the I/P lower trim plate assembly (1).

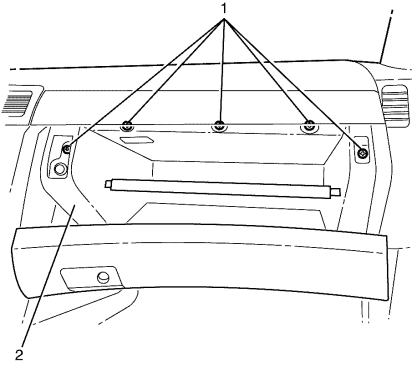
Step 4. Instrument Panel Compartment removal



1. Remove the I/P compartment assembly lower retaining screws (1).
2. Open the I/P compartment assembly door (2).

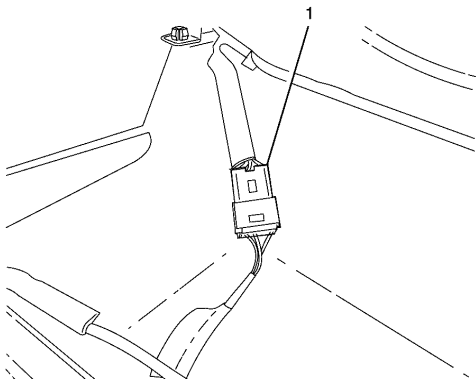


3. Remove the I/P compartment retaining screw covers (1) from the I/P compartment (2).



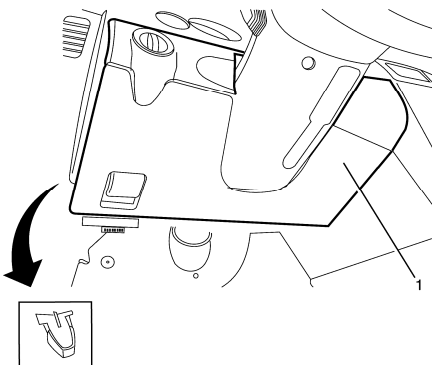
4. Remove the I/P compartment upper retaining screws (1).

5. Remove the I/P compartment (2).



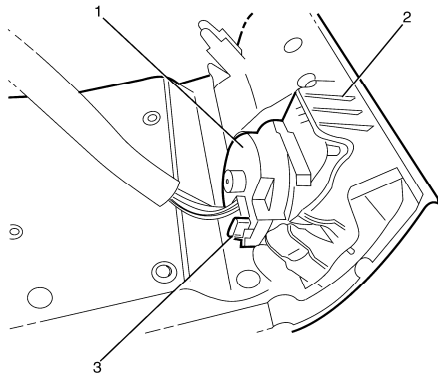
6. Disconnect the I/P compartment electrical connector (1) from the I/P compartment wiring harness.

Step 5. Knee Bolster removal



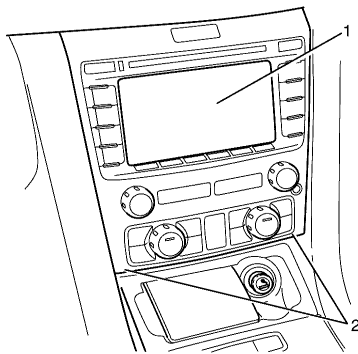
Important: When removing the knee bolster, care must be taken not to scratch the steering column cover. This can be achieved by slightly bending the knee bolster to avoid contact with the steering column.

1. Grasp the knee bolster assembly (1) and carefully pull downward to disengage the retaining clips.



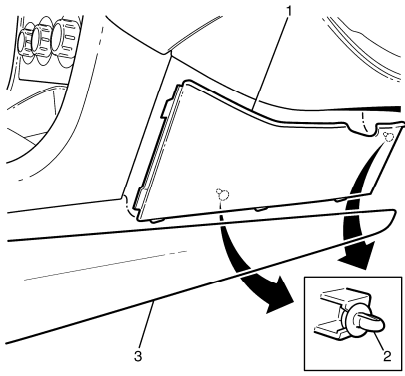
2. Disconnect the headlamp switch (1) electrical connector (3) from headlamp switch.
3. Remove the knee bolster (2).

Step 6. Driver Information Display removal



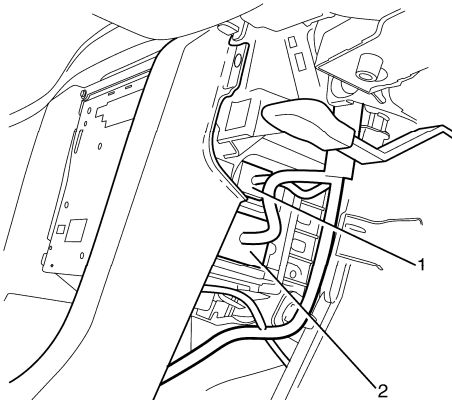
1. Grasp the bottom of the infotainment fascia (1) with both hands at point (2) and pull away from the instrument panel, disconnecting the fascia retainers.
2. Remove the infotainment fascia (1) from the infotainment unit.

Step 7. Instrument Panel Extension removal



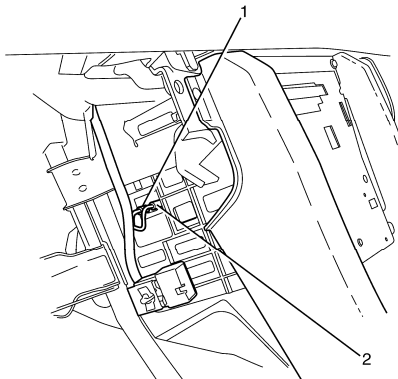
1. Disengage the I/P extension panel (1) to I/P carrier retaining clips (2).
2. Remove the I/P extension panel (1) from the centre console side trim panel (3).

Step 8. Radio removal



Important: Make sure to release the retaining lever on the infotainment electrical connector (2) before disconnecting.

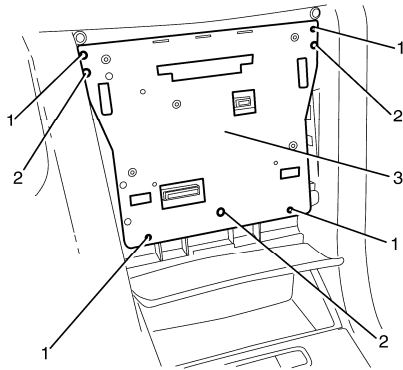
1. Disconnect the connector(s) (1 and 2 where applicable) from the right side of the infotainment unit.



Important: To disconnect coaxial connections, pinch down on the retaining clip near connection side of unit and push connector into the unit and slide connector away from the infotainment unit.

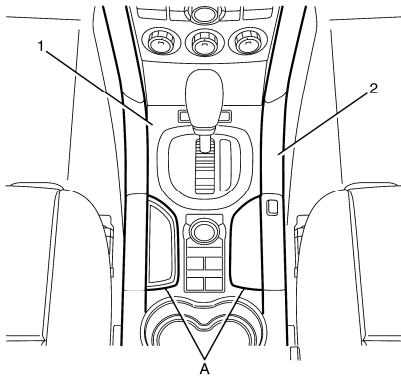
Important: Do not remove by pulling on the coaxial cables as they will be dislodged from the connector.

- Disconnect the connector(s) (1 and 2 where applicable) from the left side of the infotainment unit.



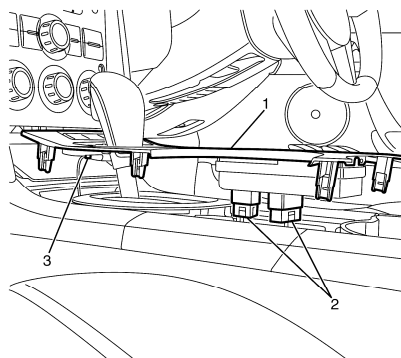
- Remove the infotainment unit to instrument panel retaining screws (1).
Important: Observe position of aligning lugs (2).
- Remove the infotainment unit (3) from the instrument panel.

Step 9. Console Trim Plate removal



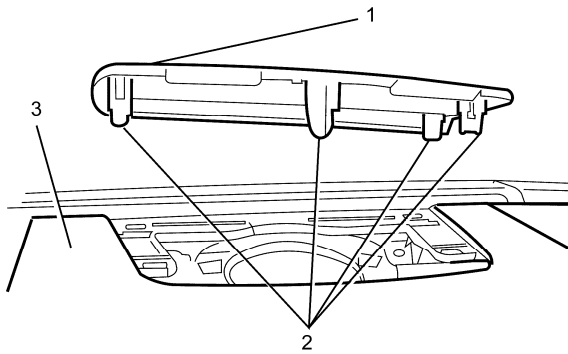
Important: The front floor console front cover (1) is retained by clips.

- Grasp the front floor console front cover (1) at (A) and pull upwards to disengage the retaining clips from the floor console (2).

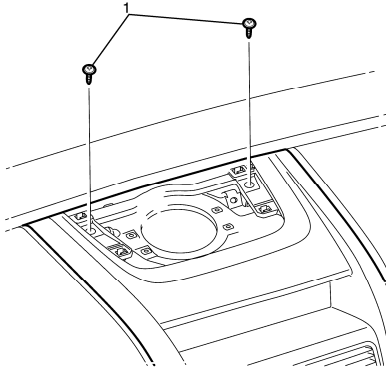


- Disconnect the window and exterior mirror switch electrical connector (2).
- Disconnect the Traction Control/ESP and Power switch (if fitted) electrical connectors (3).
- Remove the front floor console front cover (1).

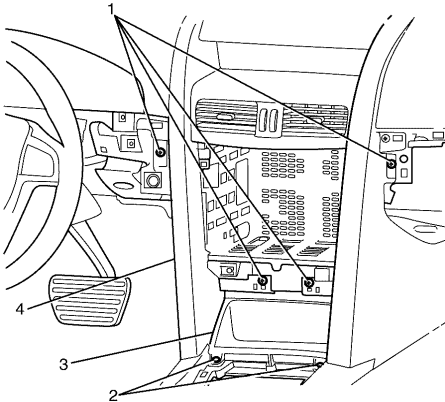
Step 10. Instrument Panel Center Trim Panel removal



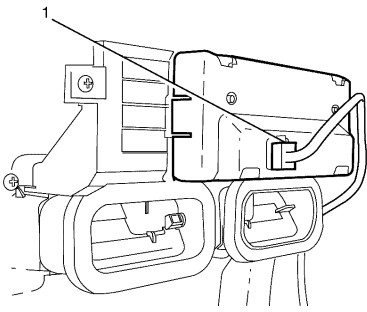
1. Disengage the I/P upper trim panel to I/P pad retainers (2) and remove the I/P upper trim panel (1) from the I/P pad (3).



2. Remove the instrument panel center trim panel to I/P pad retaining screws (1).

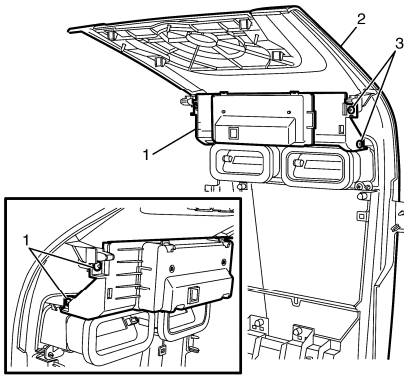


3. Remove the instrument panel center trim panel to I/P retaining screws (1).
4. Remove the instrument panel center trim panel storage bin to console retaining screws (2).
5. Remove the instrument panel center trim panel storage bin (3).
6. Disengage the instrument panel center trim panel to I/P pad retaining clips, located at the top of the center trim panel (4).
7. Lift the instrument panel center trim panel (4) upward and forward to gain access to the multi function display unit electrical connector.

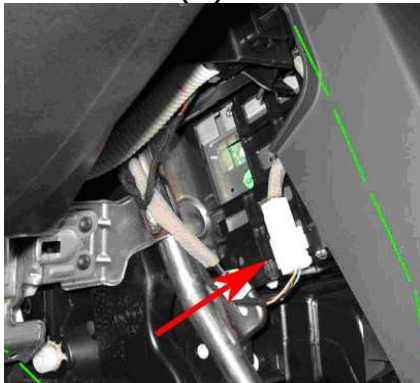


8. Disconnect the multi function display unit electrical connector (1) from the multi function display unit.
9. Remove the instrument panel center trim panel from the vehicle.

Step 11. Secondary Gauges Information Display removal



1. Remove the blank cover to I/P centre trim panel assembly retaining screws (1).
2. Remove the blank cover from the I/P centre trim panel assembly (3).
3. Install the SIC display (2) from the I/P centre trim panel assembly (3).
4. Install the secondary information centre (SIC) display to I/P centre trim panel assembly retaining screws (1).
5. Install I/P centre trim panel assembly (see Step 10)
6. Route wire (1) to the white plug on the left site of the radio.



Step 12. Assemble interior of the car

1. Assemble interior using **Step 10** thru **Step 1** in reverse order

Enjoy your new gauges!